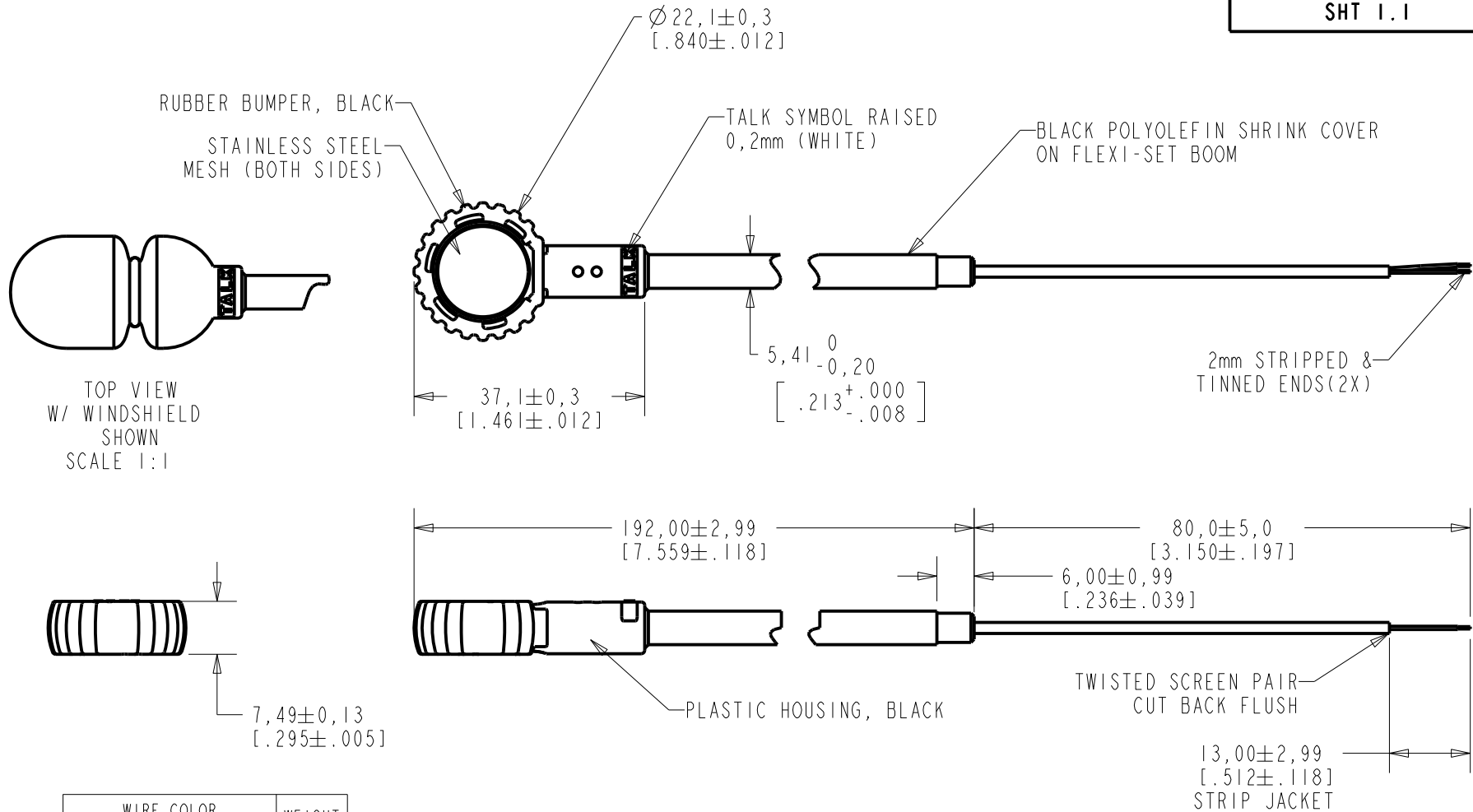


**FB-EI-31552-000**  
SHT 1.1



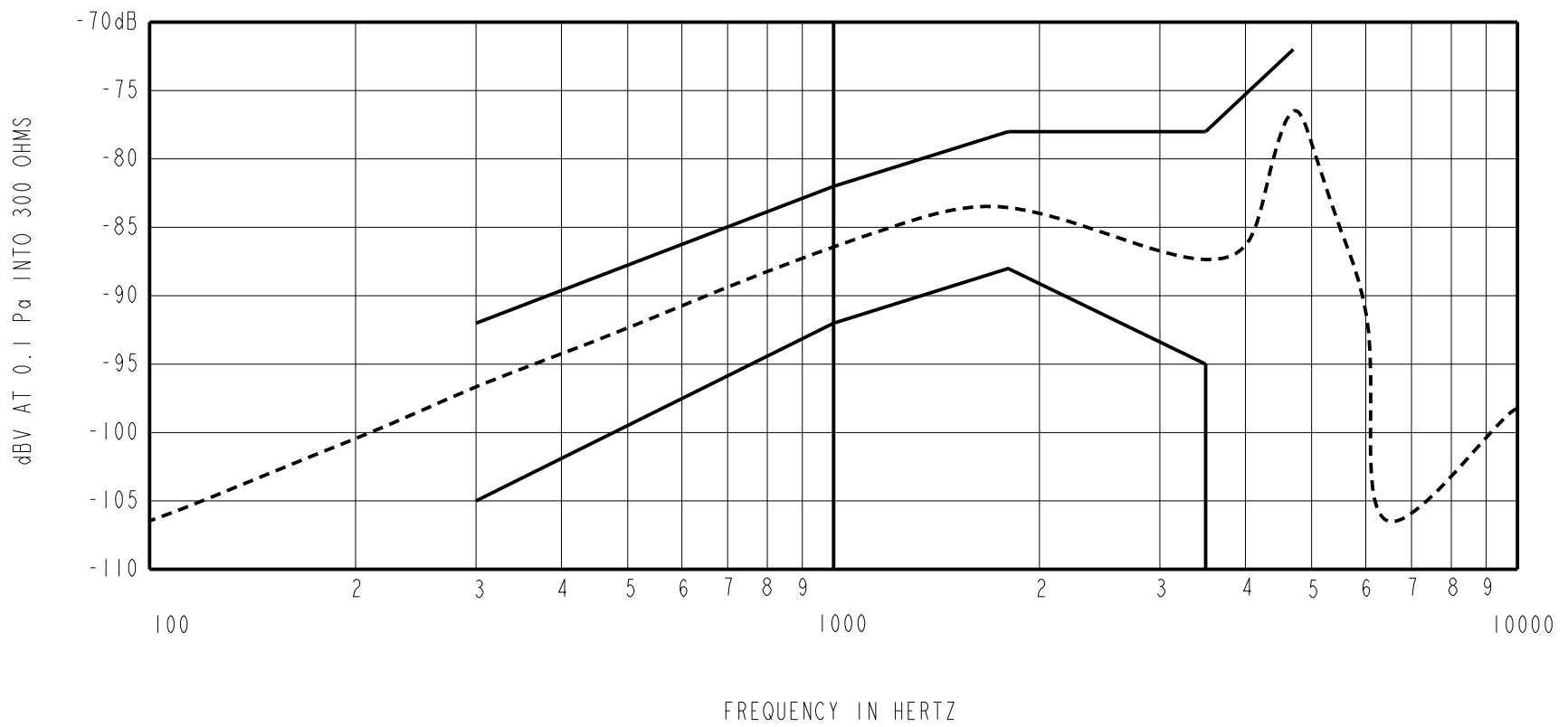
WIRE COLOR			WEIGHT GRAMS
+ve	-ve		
RED	GREEN	SHIELD	t.b.d.

DIMENSIONS IN MILLIMETERS [INCHES]

Revision	C.O. #	Implementation Date	RELEASE LEVEL	REVISION
			<b>Active</b>	<b>A</b>
A	C40101075	8-7-12		

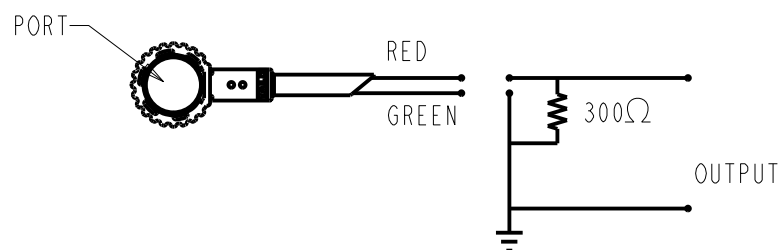
SCALE: <b>1:1</b>	DR. BY: OQ	DATE: 8-7-12
DO NOT SCALE DRAWING	CK. BY: GJP	DATE: 8-9-12
TITLE: <b>BOOM MICROPHONE</b>	APP. BY: GJP	DATE: 8-9-12
OUTLINE DRAWING	<b>FB-EI-31552-000</b>	
	<b>SHT 1.1</b>	

**KNOWLES ELECTRONICS**  
ITASCA, ILLINOIS U.S.A.

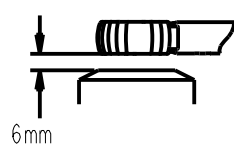


NOTES:

- SENSITIVITY VALUES INDICATED ON THIS SPECIFICATION ARE VALID AT 50% HUMIDITY.
- | FREQUENCY | SENSITIVITY |       |      |
|-----------|-------------|-------|------|
|           | NIN.        | NOM.  | MAX. |
| 300       | -105        | -97.5 | -92  |
| 1000      | -92         | -87.0 | -82  |
| 1800      | -88         | -83.0 | -78  |
| 3500      | -95         | -87.5 | -78  |
| 4000      | ---         | -86.5 | ---  |
| 4700      | ---         | -76.5 | -72  |
- TEST CONDITIONS:  
HEAD OF BOOM EXPOSED TO 94 dB SPL SWEPT SOUND FIELD AT 6mm FROM VOICE APERTURE.  
ARTIFICIAL VOICE:  
B & k 4227 MOUTH SIMULATOR.
- FOR MICROPHONE CAPSULE SPEC. SEE DRAWING BJ-28471-000 SHEET 2.1.
- SURVIVES SUBMERSION IN 1m WATER FOR 30 MINUTES; SENSITIVITY WITHIN 3dB OF INITIAL SENSITIVITY AFTER DRIED FOR 30 MINUTES AT ROOM TEMPERATURE.



LEAD IDENTIFICATION  
& TEST CIRCUIT



Revision	C.O. #	Implementation Date	RELEASE LEVEL	REVISION
			Active	A
A	C40101075	8-7-12		
WHEN TEST LIMITS ARE USED TO ESTABLISH INCOMING INSPECTION ACCEPTANCE/REJECTION CRITERIA, CORRELATION OF TEST EQUIPMENT WITH KNOWLES IS ALSO REQUIRED FOR ELIMINATION OF EQUIPMENT AND TEST METHOD VARIATION			DR. BY	DATE
TITLE: <b>BOOM MICROPHONE</b> PERFORMANCE SPECIFICATION			OO	8-7-12
			FB-EI-31552-000 SHT 2.1	
			CK. BY	DATE
			GJP	8-9-12
			APP. BY	DATE
			GJP	8-9-12

**KNOWLES ELECTRONICS**  
ITASCA, ILLINOIS U.S.A.